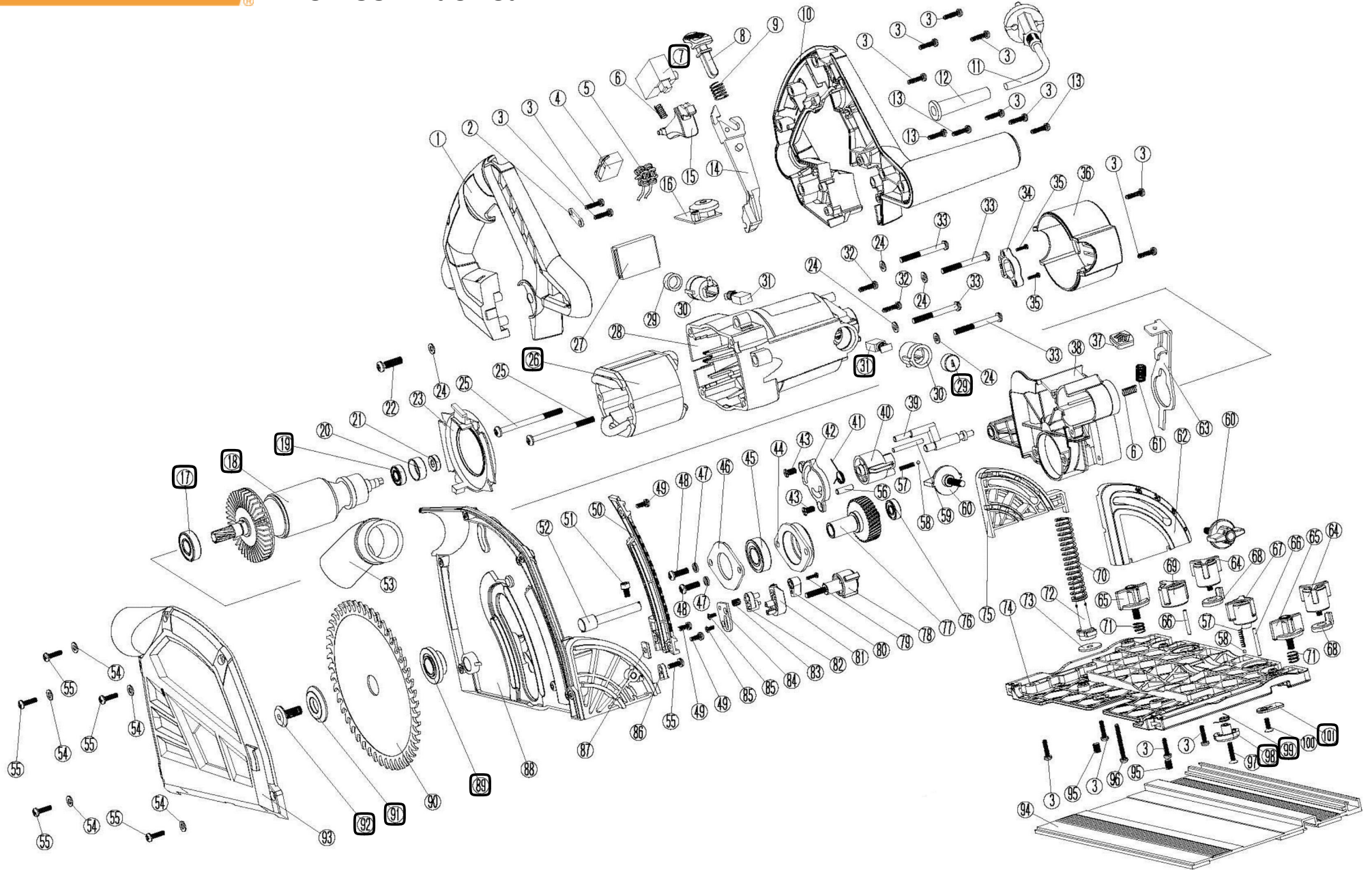




TTS1400 - Track Saw





TTS1400 - Track Saw

No.	Part No.	Description	Quantity
1	TTS001	Right handle	1
2	TTS002	Cord Clamp	1
3	TTS003	Cross recessed pan head tapping screw ST4x16	14
4	TTS004	Capacitor	1
5	TTS005	Inductor	2
6	TTS006	Reset Spring	2
7	TTS007	Switch	1
8	TTS008	Lock-off button	1
9	TTS009	Lock-off button spring	1
10	TTS010	Left handle	1
11	TTS011	Cordset	1
12	TTS012	Strain Relief	1
13	TTS013	Cross recessed pan head tapping screw ST4x20	3
14	TTS014	Lock-off button linkage	1
15	TTS015	Trigger button	1
16	TTS016	Speed Dial	1
17	TTS017	Single-row radial ball bearing 6001zz	1
18	TTS018	Armature	1
19	TTS019	Single-row radial ball bearing 698zz	1
20	TTS020	Bump protection ring	1
21	TTS021	Magnetic ring	1
22	TTS022	Hexagon socket cap head screws M5x30	1
23	TTS023	Shield Plate	1
24	TTS024	Flat washer Φ 5	5
25	TTS025	Cross recessed pan head tapping screw ST5x68	2
26	TTS026	Stator	1
27	TTS027	Speed control circuit board	1
28	TTS028	Housing	1
29	TTS029	Carbon brush cover	2
30	TTS030	Carbon brush holder	2
31	TTS031	Carbon brush	2
32	TTS032	Cross recessed pan head tapping screw ST4x11	2
33	TTS033	Hexagon socket cap head screws M5x45	4
34	TTS034	Magnetic ring cover	1
35	TTS035	Cross recessed pan head tapping screw ST3x11	2
36	TTS036	Rear cover	1
37	TTS037	Axis lock sleeve	1
38	TTS038	Center bracket	1
39	TTS039	Lockpin	1



TTS1400 - Track Saw

No.	Part No.	Description	Quantity
40	TTS040	Mode Selector Knob	1
41	TTS041	Mode Selector Knob reset spring	1
42	TTS042	Cover	1
43	TTS043	Cross recessed countersunk head screw M5x8	2
44	TTS044	Bearing block	1
45	TTS045	Single-row radial ball bearing 6002zz	1
46	TTS046	Bearing Block Pressure Plate	1
47	TTS047	Spring washer $\Phi 5$	2
48	TTS048	Cross recessed pan head tapping screw ST5x16	2
49	TTS049	Cross recessed pan head tapping screw ST4x8	3
50	TTS050	Depth scale plate	1
51	TTS051	Hexagon socket cap head screws M5x8	1
52	TTS052	Connection shaft	1
53	TTS053	Dust tube	1
54	TTS054	Flat washer $\Phi 4$	5
55	TTS055	Cross recessed pan head tapping screw M4x16	6
56	TTS056	Locating pin $\Phi 5 \times 21.5$	1
57	TTS057	Spring	2
58	TTS058	$\Phi 3$ steel ball	2
59	TTS059	Needle roller $\Phi 4 \times 31$	1
60	TTS060	Angle clamping knob	2
61	TTS061	Lock pin spring	1
62	TTS062	Angle bracket (Right)	1
63	TTS063	Locking pin	1
64	TTS064	Adjusting Cam knob	2
65	TTS065	Parallel guide clamp	2
66	TTS066	Anti Kick-back knob guide pin	2
67	TTS067	Anti Kick-back knob	1
68	TTS068	Fine-adjust block	2
69	TTS069	Track-lock knob	1
70	TTS070	Reset spring	1
71	TTS071	Parallel guide clampspring	2
72	TTS072	Reset spring locating rod	1
73	TTS073	Locating rod washer	1
74	TTS074	Baseplate	1
75	TTS075	Angle bracket (left)	1
76	TTS076	Single-row radial ball bearing 607zz	1



TTS1400 - Track Saw

No.	Part No.	Description	Quantity
77	TTS077	Gear	1
78	TTS078	Depth clamping knob	1
79	TTS079	Cross recessed pan head tapping screw ST2.5x10	1
80	TTS080	Track Depth Compensation Knob	1
81	TTS081	Depth indication frame	1
82	TTS082	Track Depth Compensation Button	1
83	TTS083	Track Depth Compensation Button Spring	1
84	TTS084	Depth indication plate	1
85	TTS085	Cross recessed countersunk head tapping screw ST3x6	2
86	TTS086	Angle indication block	1
87	TTS087	Depth clamping nut	1
88	TTS088	Inner Cover	1
89	TTS089	Lower Plate	1
90	TTS090	Alloy aluminium Φ 165x Φ 20x2x48	1
91	TTS091	Blade Flange	1
92	TTS092	Clamping screw	1
93	TTS093	Outer Cover	1
94	TTS094	Track	1
95	TTS095	Hex flat end faxed screw M6x8	2
96	TTS096	Cross recessed pan head tapping screw ST4x34	1
97	TTS097	Cross recessed countersunk head tapping screw ST4x20	1
98	TTS098	Cam Knob	1
99	TTS099	Cam spring	1
100	TTS100	Cross recessed countersunk head tapping screw ST4x10	1
101	TTS101	Bevel Lock	1